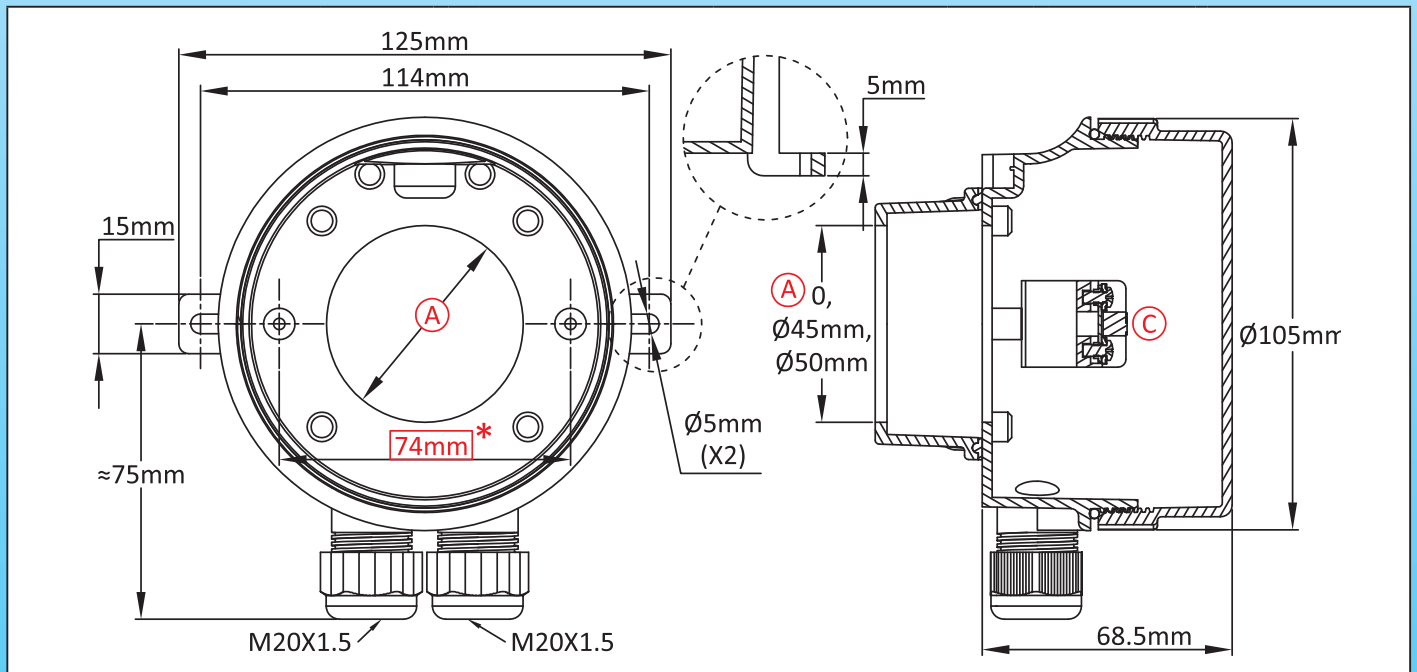


# Immersion heater enclosure with extension. In PA66 and polycarbonate

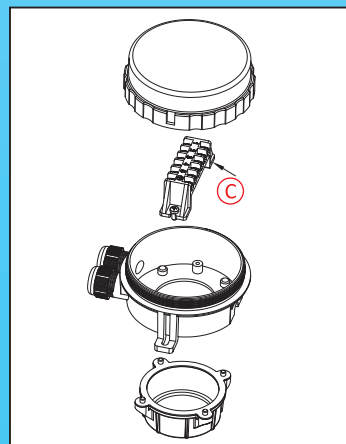
Size(mm)	Volume(cm <sup>3</sup> )	Material	Protection grade		Model
<b>Dia. 105 X 87</b>	<b>583</b>	<b>PA66 + PC</b>	<b>IP69K</b>	<b>IK10</b>	<b>Y3F3</b>

Suitable for
<input type="checkbox"/> Temperature sensor
<input checked="" type="checkbox"/> Immersion heater
<input type="checkbox"/> Finned heater
<input checked="" type="checkbox"/> Thermostat
<input type="checkbox"/> Level sensor
<input type="checkbox"/> Electronic board



### Main references

With connection block <span style="color: red;">Ⓒ</span>	Without connection block <span style="color: red;">Ⓒ</span>
Y3F3500022AH400T	Y3F3500022A0000T



### Links

	Page (.pdf)
	Drawing 2D (.dwg)
	Drawing 3D (.stp)

Because of permanent improvement of our products, drawings, descriptions, features used on these data sheets are for guidance only and can be modified without prior advice

Cable gland not included in these reference, consult us if you want them.  
Red dimensions inside rectangular frames on drawings are used for accessories assembly.

